

SPECIFICATIONS

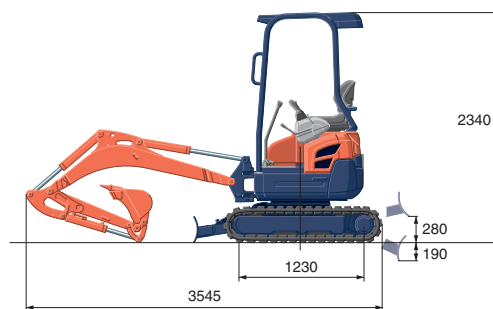
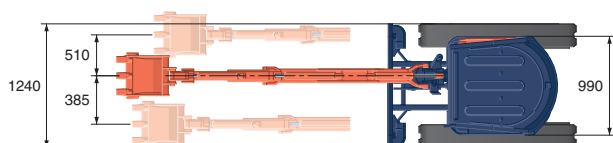
| | | | | |
|---|--------------------------|--------------|---------------------|------------|
| Model | | U17-3 | | |
| Type of ROPS / FOPS | | Canopy | | |
| Type of tracks | | Rubber | | |
| Engine | Model | | Kubota D902-E3 | |
| | Output (SAEJ 1995 gross) | HP (kW)/rpm | 17.0 (12.7) / 2300 | |
| | Output (SAEJ 1349 net) | HP (kW)/rpm | 15.2 (11.3) / 2300 | |
| | Displacement | cc | 898 | |
| Dimensions | Overall length | mm | 3545 | |
| | Overall height | mm | 340 | |
| | Overall width | mm | 990 / 1240 | |
| | Min. ground clearance | mm | 150 | |
| Hydraulic system | Pump capacity | ℓ /min | 17.3 × 2 / 10.4 × 1 | |
| | Auxiliary hydraulic flow | ℓ /min | 27.7 | |
| | Max. breakout force | Bucket / Arm | kgf | 1550 / 870 |
| Drive system | Travel speed | Low / High | km/h | 2.1 / 4.1 |
| | Max. drawbar pull | | kgf | 2207 |
| | Tumbler distance | | mm | 1230 |
| | Crawler length | | mm | 1585 |
| | Shoe width | | mm | 230 |
| | Ground contact pressure | | kgf/cm ² | 0.27 |
| Swing system | Unit swing speed | | rpm | 9.1 |
| | Boom swing angle | Left / Right | degree | 65 / 58 |
| Blade | Dimensions | Width | mm | 1240 / 990 |
| | | Height | mm | 260 |
| | Max. lift above ground | | mm | 280 |
| | Max. drop below ground | | mm | 190 |
| Hydraulic oil (reservoir / system) | | ℓ | 13 / 23 | |
| Fuel reservoir | | ℓ | 19 | |
| Operating weight (Including operator's weight 80 kg.) | | kgs | 1730 | |

The company reserves the right to change specifications without notice. This brochure is for descriptive purposes only.

Please contact your local Kubota dealer for warranty information.

For your safety, Kubota strongly recommends the use of a Rollover Protective Structure (ROPS) and seat belt for almost all applications.

DIMENSIONS



Unit: mm

©2008 Kubota Corporation

Kubota

KUBOTA Tractor Australia Pty Ltd

100 Keilor Park Drive, Tullamarine Vic., 3043

Freecall: 1800 334 653

Email: sales@kubota.com.au

Web Site: <http://www.kubota.com.au>