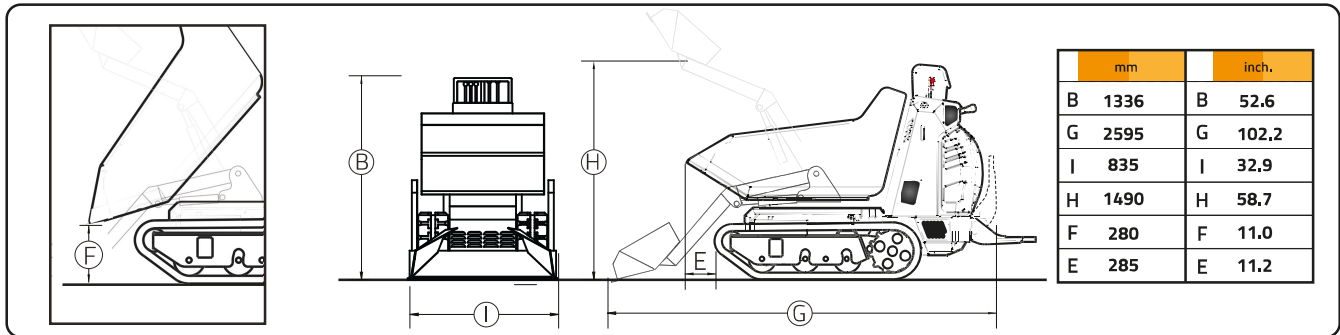


SELF LOADING (AC-ACW)



	C10.85	C13.85	C14.85
OPERATIVE CAPACITY	800 kg 1764 Lb	800 kg 1764 Lb	800 kg 1764 Lb
TOTAL WEIGHT	662 kg 1460 Lb	637 kg 1404 Lb	684 kg 1508 Lb
STRUCK	0,25 m ³ 0.33 yd ³	0,25 m ³ 0.33 yd ³	0,25 m ³ 0.33 yd ³
HEAPED SAE	0,34 m ³ 0.44 yd ³	0,34 m ³ 0.44 yd ³	0,34 m ³ 0.44 yd ³